

**External venetian blinds from Griesser.
Metalunic V Sinus®**





Metalunic V Sinus®

The flowing form of the Metalunic V Sinus® can be harmoniously integrated into any facade and is ideal for a trendy, contemporary look in home furnishings. The Sinus slats direct sun rays to the ceiling. In doing so, the effect of the light reflected by the curved slats reduces glare on work spaces. Metalunic V Sinus® offers two things in one: use of existing daylight and comfortable glare protection. Self-supporting construction without vertical connections; lifting and adjustment mechanisms are integrated into the guide rails. The robust mechanism provides a reliable safety locking device.



Metalunic V Sinus® is available as a MINERGIE® module in an automated version.



Performance Award
Equip'Baie 2012

Product- Highlights



Discover Soft-Closing



1 Use of daylight

As well as being esthetically pleasing, the sinusoidal slat allows up to 50% more daylight into the room. Thanks to the wave-shaped design of the slat, there are no sharp edges to break up the light; instead, the light is guided better to the ceiling without causing glare at low levels.

2 Soft-Closing

With its soft movement, the Comfort Drive permits an exact positioning of the slats as well as exact light regulation. A slow approach to the final position enables the slats to close virtually without noise.

3 Safety sensing edge

The integrated safety sensing edge causes the blind to stop at once whenever the slats come into contact with an object.

4 Safety locking device

The burglary-resistant safety locking device functions in every position with the Metalunic V Sinus®.

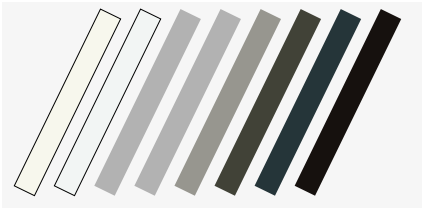
5 Guide rails

Made from extruded aluminum, 85 × 45 mm, with lifting and adjustment mechanism and sound-absorbing plastic slides on the pivot arms. Anodized or baked enamel finish.

Our color scheme









OUR COLORS

STANDARD COLORS



Surface structure

Semi-gloss

			
RAL 9010	RAL 9016	RAL 9006	VSR 140
			
RAL 9007/VSR 907	RAL 7022	RAL 7016	RAL 8019

PREMIUM COLORS

GriRal Colors

Our GriRal color collection has an assortment of 50 different RAL shades of color. From sand yellow to standard white, we offer a complete selection of hues for every color family. We're convinced that with our color palette, you will find exactly the right shade of color for your needs.



GriColors

The GriColors range includes 100 color shades in four collections, Glass & Stone, Sun & Fire, Water & Moss and Earth & Wood – from cool white and sunny red to natural blue and earthy brown.



Surface structure

Semi-gloss

BiColor

External venetian blinds get a new color accent: When bright color is dominant outside, a neutral light can optimize the shading function inside. Create your own preferred color combination using our two color collections, GriColors and GriRal (excluding standard colors).

The exterior color shows as a border along the edge of the interior view. Our color recommendations for interior colors: white (VSR 901), light gray (VSR 904) or medium gray (VSR 130).



SPECIAL COLORS

Color means individuality - there are practically no limits to our Special Colors. No wish goes unanswered with additional innumerable and facade-ready color tones.



Our comfort



CONTROLS

Metalunic V Sinus® can be operated through a variety of control systems, from a simple hand-held transmitter to a master control or a building management system, depending on the time, position of the sun and the weather.

Thermal comfort

The ambient conditions change over the course of the day and during the seasons. With a blinds control device from Griesser, you can adjust your solar shading to match your personal requirements in accordance with changing exterior circumstances. And making these adjustments is so simple that you will still have time to take care of the important things in your life.

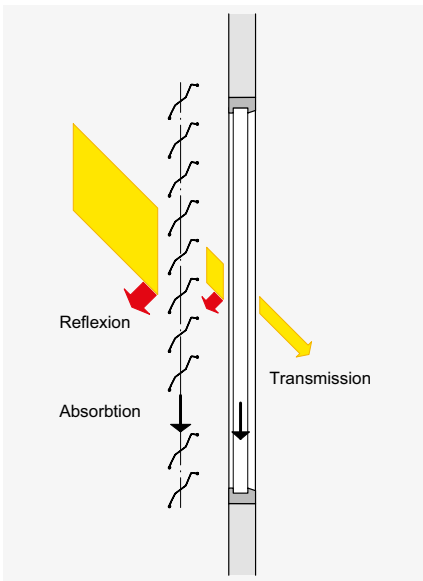
An optimal daylight concept makes artificial air conditioning superfluous in the summer. You save energy costs and may well also avoid one or another unwanted summer cold. In the winter, on the other hand, a solar shading system can protect you against cold and allow the scarce rays of the sun into the room, thus saving once again on energy costs, not to mention facial tissues.

Visual comfort

Having a sense of well-being also means being able to decide for oneself, particularly within one's own four walls, just how much one wants to reveal to the outside world. With Metalunic V Sinus®, you are sheltered from uninvited glances from the outside world.

BILINE - REMOTE CONTROL

The control system Griesser BiLine provides contemporary design and high functional security through routing technology. Wireless systems have the advantage of being installed quickly, not only in new buildings but also when refitting an automated system in existing buildings.



BiLine hand-held transmitter



Centero server for iPad and iPhone operation



KNX / GBUS HOME AND BUILDING AUTOMATION

The Griesser KNX and gBUS solar shading controls are integrated master controls with extensive functionalities for any building of any size. With proven functions such as solar tracking and horizon limitation, it meets the highest expectations for solar shading control.

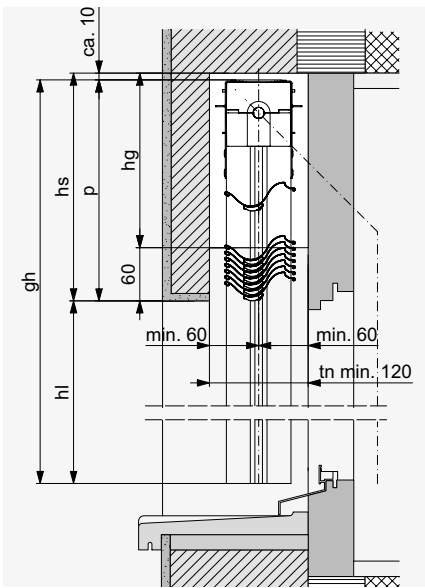


KNX / gBUS controls per iPad



Technology in detail

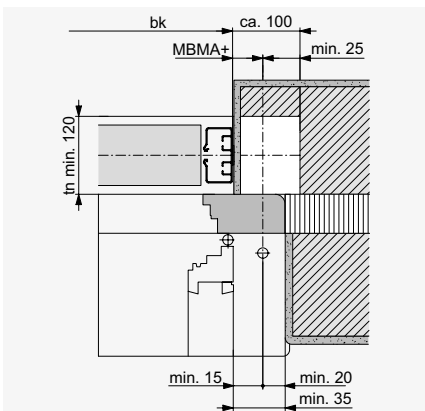
Vertical section: Example of header



BUILT-IN SYSTEM



Top section: for crank drive



Top section for crank drive

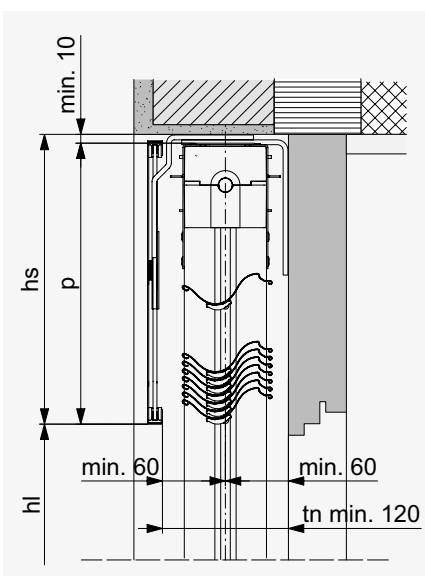
With recess (white) for gearbox (not necessary for motor drive). Depending on the angle of the gearbox output, tn_{min} should be increased by 5-10 mm in this area.
 MBMA+ = Dimension from rear edge of guide rails to centre of drive.

Depth of niche

	tn
Metalunic V Sinus®	min. 120*

* + possible addition for protruding weatherboard or doorknobs. A dimensional tolerance of ± 5 mm is observed for the header height.

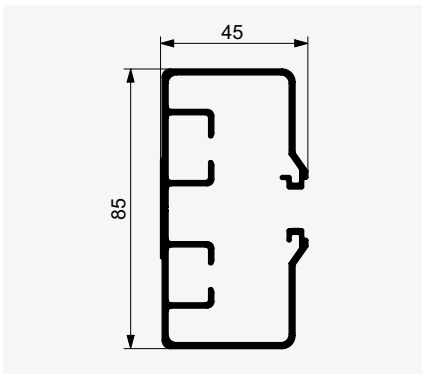
Vertical section: Example with cover



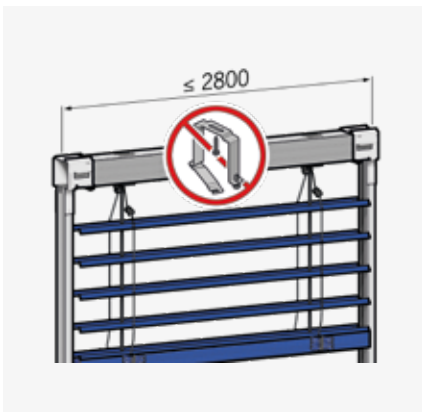
FRONT MOUNTED SYSTEM



LATERAL GUIDE RAILS



The self-supporting



The self-supporting blind design protects the insulation in the header and reduces service costs. The system needs no fastening for the housing for widths of up to 2800 mm – the insulation remains intact and noise transmission is reduced.

KEY

bk = Width of construction

hl = Opening height

p = Height of package

hs = Header height (p + min. 10)

hg = Height of gearbox recess (hs -60)

tn = Depth of niche

All dimensions in mm.

LIMIT DIMENSIONS

Single blind

Operation	Width min. (bk)	Width max. (bk)	Height min. (hl)	Height max. (hl)	Surface max. [m ²]
Crank drive	500	2800	440	4000	6.5
Motor drive	700				8

Connected systems

Operation	Width max. (bk)	Height max. (hl)	Blinds max.	Blinds per system	Surface max. [m ²]
Crank drive	8400	2300	3	2	5
Motor drive		4000	2	3	4
				2	4.8

Parallel switching (only with Elero Comfort Drive)

Several drives can be switched in parallel with limitation to expand the surfaces.

Header dimensions

Opening height (hl)	Header height (hs) Metalunic V Sinus®
400–1000	270
1001–1250	285
1251–1500	310
1501–1750	340
1751–2000	365
2001–2250	390
2251–2500	420
2501–2750	445
2751–3000	470
3001–3250	500
3501–3500	525
3501–3750	550
3751–4000	580

Header dimensions are approximate values which may exhibit negative or positive deviations depending on the technical circumstances.



Your partner:

Griesser solar shading - Quality since 1882.
www.griessergroup.com

